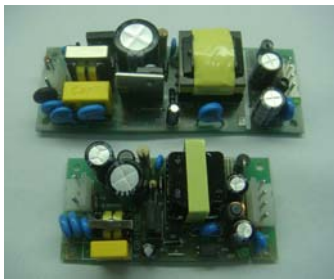


15Watt, Single & Dual Output, AC-DC Open Frame Converter

FEATURES:



- Universal Input 90~264VAC
- High Efficiency Up To 85%
- Protection: Short Circuit /Overload/Over voltage
- Meet EMI EN55022 & EMS EN55024 standard
- Internal Input Filter
- ROHS Compliant

Specifications typical at TA=25°C, nominal input voltage and rated output current unless otherwise specified

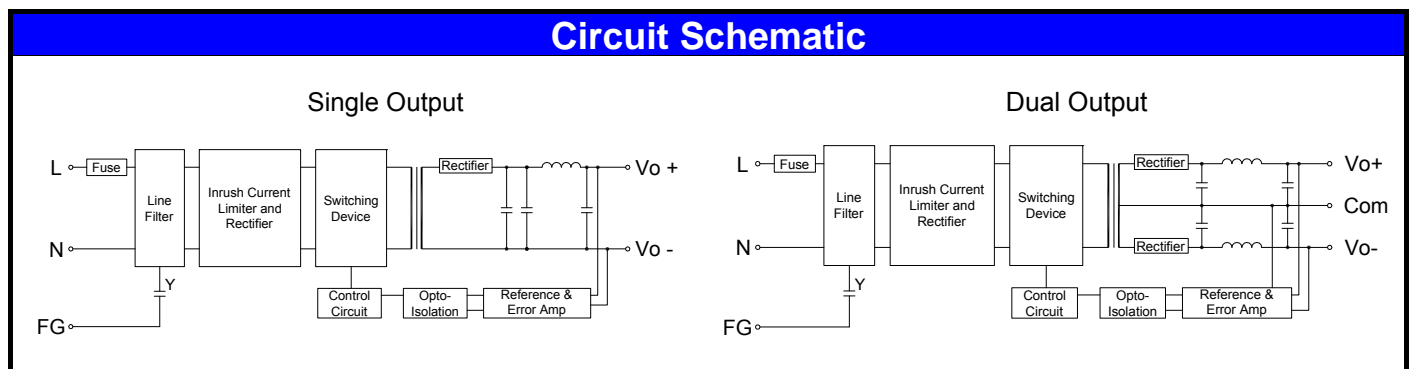
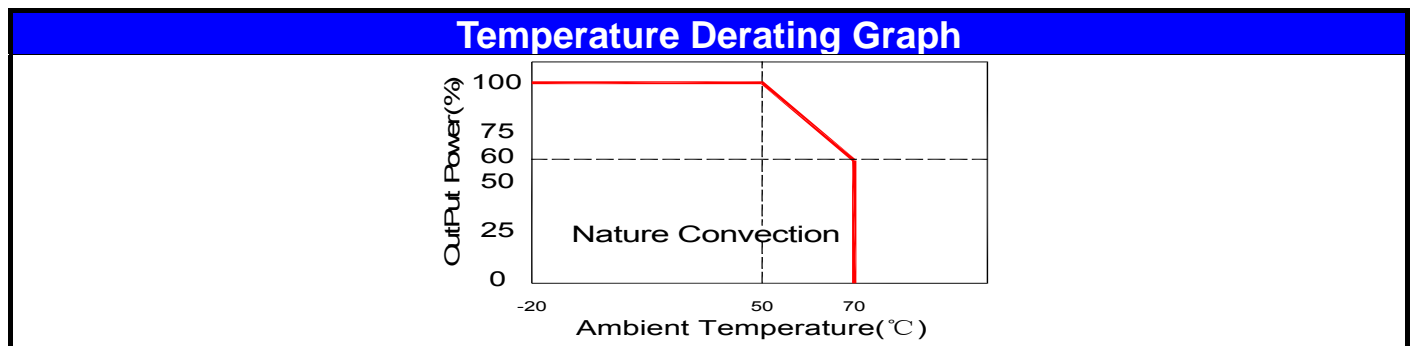
Part Number	Output Wattage	Output Voltage	Output Current	Efficiency	Ripple & Noise	Package Style
	(W)	(VDC)	(mA)	(TYP %)	(mV) max(note)	
BRS15-S03	10	3.3	3000	70	100	0
BRS15-S05	15	5	3000	75	100	0
BRS15-S12	15	12	1250	80	100	0
BRS15-S15	15	15	1000	82	150	0
BRS15-S24	15	24	625	83	240	0
BRS15-D05	15	±5	±1500	70	100	1
BRS15-D12	15	±12	±625	78	150	1
BRS15-D15	15	±15	±500	79	150	1
BRS15-D24	15	±24	±320	80	240	1

Input Specifications						
Parameters	Conditions		Min	Typ	Max	Units
Rated Input Voltage	Vo,lo nom			100~240		Vac
Voltage Range	Vo,lo nom	AC in	90		264	Vac
		DC in	120		370	Vdc
Line frequency	Vi nom,lonom		47	50/60	63	Hz
Inrush Current	lo nom	Vi:115VAC			10	A
		Vi:230VAC			20	A
Input Fuse	VDE/UL/CCC FUSE 2.5A/250V (Slow blow)					

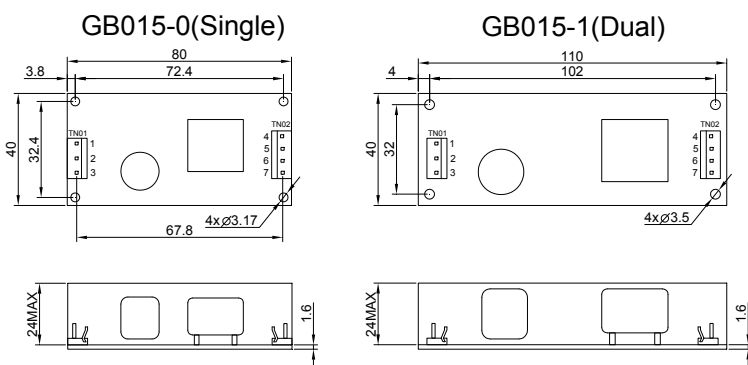
Output Specifications						
Parameters	Conditions		Min	Typ	Max	Units
Output Voltage Accuracy	Vi nom,lo nom (Single output)	3.3V,5V Models			±3	%
		12....48V Models			±2	%
	Dual Output				±5	%
Minimum Load	Vi nom	Single Output Models	0			%
		Dual Output Models(each output)	20			%
Line Regulation	lo nom,Vi min...Vi max			±1		%
Load Regulation	lo min~lo nom	Single Output Models		±2		%
		Dual Output Models		±5		%
Transient Recovery Time	Vi nom,lo nom = ←→0.5 lo nom			1,000		uS
Protection	Overload		Above 110% rated output power Protection type: Recovers automatically after fault condition is removed			
	Over Voltage		120%-150% rated output Voltage Protection type: Zener diode clamp			
	Short circuit		Recovers automatically after fault condition is removed			

Note. Ripple & noise is measured by using 20 MHz bandwidth, measured with a 47uf paralleled with a high-frequency 0.47uf capacitor across each output by full load.

General Specifications					
Parameters	Conditions	Min	Typ	Max	Units
Switching Frequency	Vi nom, lo nom		65		KHz
Isolation Voltage	Input / Output	3KVac/ 5mA/5Secs			
Isolation Resistance	Input / Output, @500 Vdc	100			MΩ
Operating Temperature	Operating at Vi nom, lo nom	-20		+70	°C
Derating	Vi nom, lo nom +51 to 71°C			2	%/°C
Storage Temperature	Non Operational	-40		+85	°C
Relative Humidity	Vi nom, lo nom			95	% RH
Dimension TYPE0	L80 x W40 x H24MAX				mm
Dimension TYPE1	L110 x W40 x H24MAX				mm
Cooling	Free air convection				



Markings and dimensions



Notes:

- Input connector mates with Molex housing 09-50-3031 and Molex 2478 series crimp terminal.
- Output connector mates with Molex housing 09-50-3041 and Molex 2478 series crimp terminal.

TN01	Model		
PIN	Single	Dual	Dual
1	ACL	ACL	ACL
2	No PIN	No PIN	No PIN
3	ACN	ACN	ACN
TN02			
4	+Vo	+Vo	+Vo1
5	+Vo	Com	+Vo2
6	-Vo	Com	Com
7	-Vo	-Vo	Com

Unit: mm Unless otherwise specified, all tolerances are ± 0.50