

# ICI-83T SERIES

# INDUCTORS

## FEATURES

- Base material meets flammability Requirements of UL 94V-0
- Available in surface mount and through Hole versions



## Electrical Specifications @25°C—Operating Temperature-30° to+130°C

THT Part Number	SMT Part Number	In Circuit Operating Parameters <sup>1</sup>			Nominal DCR (Ω)	Package	
		Nominal Inductance (μH)	Rated Current (Amps DC)	(Max <sup>2</sup> ) ETop (V-μSec)		Through Hole	Surface Mount
ICI-83T-259P2	ICI-83T-259L2	259	0.13	23.1	3.4	P2	L2
ICI-83T-178P2	ICI-83T-178L2	178	0.16	16.5	2.8	P2	L2
ICI-83T-118P2	ICI-83T-118L2	118	0.2	13.2	1.8	P2	L2
ICI-83T-790P2	ICI-83T-790L2	79	0.25	9.9	1.5	P2	L2
ICI-83T-550P2	ICI-83T-550L2	55	0.3	6.6	1.0	P2	L2
ICI-83T-390P2	ICI-83T-390L2	39	0.34	6.6	.80	P2	L2
ICI-83T-260P2	ICI-83T-260L2	26	0.45	6.6	.62	P2	L2
ICI-83T-374P3	ICI-83T-374L3	374	0.2	75.9	2.7	P3	L3
ICI-83T-256P3	ICI-83T-256L3	256	0.25	33	2.2	P3	L3
ICI-83T-176P3	ICI-83T-176L3	176	0.3	26.4	1.4	P3	L3
ICI-83T-118P3	ICI-83T-118L3	118	0.38	19.8	1.2	P3	L3
ICI-83T-780P3	ICI-83T-780L3	78	0.46	16.5	0.8	P3	L3

ICI-83T-550P3	ICI-83T-550L3	55	0.56	13.2	0.5	P3	L3
ICI-83T-390P3	ICI-83T-390L3	39	0.68	9.9	0.3	P3	L3
ICI-83T-260P3	ICI-83T-260L3	26	0.84	6.6	0.2	P3	L3
ICI-83T-170P3	ICI-83T-170L3	17	1.02	6.6	0.1	P3	L3
ICI-83T-375P7	ICI-83T-375L7	375	0.36	75.9	1.3	P7	L7
ICI-83T-251P7	ICI-83T-252L7	252	0.44	49.5	0.9	P7	L7
ICI-83T-171P7	ICI-83T-173L7	173	0.54	36.3	0.6	P7	L7
ICI-83T-115P7	ICI-83T-115L7	115	0.67	29.7	0.4	P7	L7
ICI-83T-780P7	ICI-83T-780L7	78	0.82	23.1	0.3	P7	L7
ICI-83T-540P7	ICI-83T-540L7	54	1.0	16.5	0.2	P7	L7
ICI-83T-380P7	ICI-83T-380L7	38	1.2	13.2	0.1	P7	L7
ICI-83T-260P7	ICI-83T-260L7	26	1.48	9.9	0.1	P7	L7
ICI-83T-180P7	ICI-83T-180L7	18	1.81	9.9	0.06	P4	L4
ICI-83T-377P4	ICI-83T-377L4	377	0.68	75.9	1.0	P4	L4
ICI-83T-248P4	ICI-83T-248L4	248	0.83	72.6	0.6	P4	L4
ICI-83T-168P4	ICI-83T-168L4	168	1.02	56.1	0.4	P4	L4
ICI-83T-111P4	ICI-83T-112L4	112	1.26	42.9	0.3	P4	L4
ICI-83T-770P4	ICI-83T-770L4	77	1.54	33	0.2	P4	L4
ICI-83T-530P4	ICI-83T-530L4	53	1.87	26.4	0.13	P4	L4
ICI-83T-370P4	ICI-83T-370L4	37	2.24	19.8	0.10	P4	L4
ICI-83T240P4	ICI-83T-240L4	24	2.74	16.5	0.07	P4	L4
ICI-83T-170K1	ICI-83T-170L4	17	3.0	13.2	0.05	K1	L4
ICI-83T251K3	ICI-83T-251H6	250	1.5	72.6	0.23	K3	H6
ICI-83T-168K3	ICI-83T-168H6	168	1.81	75.9	0.18	K3	H6
ICI-83T-114K3	ICI-83T-114H6	114	2.22	62.7	0.10	K3	H6

ICI-83T-770K3	ICI-83T-770H6	77	2.7	52.8	0.09	K3	H6
ICI-83T-530K3	ICI-83T-530H6	53	3.0	42.9	0.08	K3	H6
ICI-83T-380K2	ICI-83T-380H6	38	3.0	29.7	0.05	K3	H6
ICI-83T-250K2	ICI-83T-250L5	25	3.0	19.8	0.04	K2	L5
ICI-83T-167K4		167	2.5	75.9	0.14	K4	
ICI-83T-111K4		110	3.0	75.9	0.09	K4	
ICI-83T-770K3	ICI-83T-770H6	77	3.0	59.4	0.08	K3	H6
ICI-83T-190K3		19	4.5	32 <sup>(3)</sup>	0.02	K3	

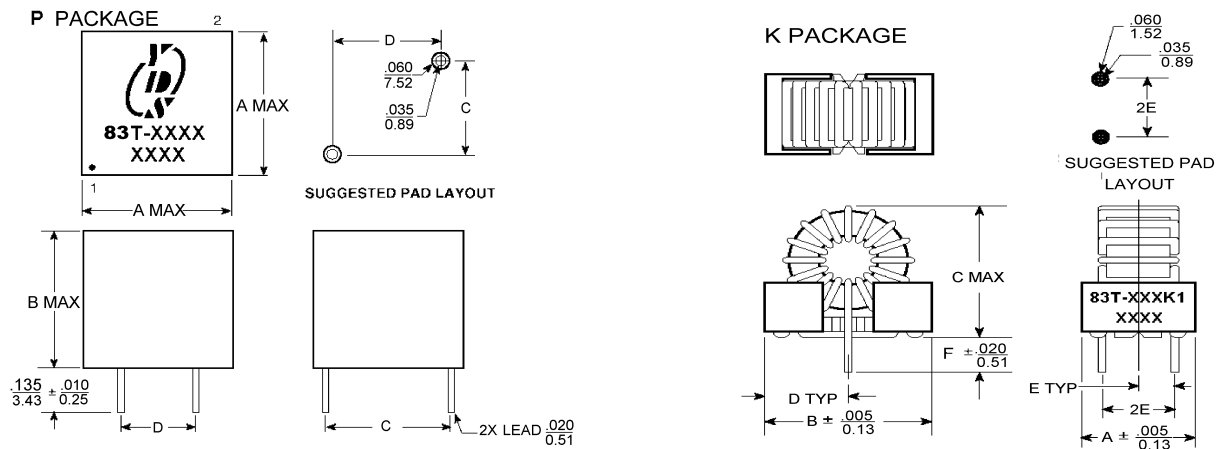
NOTES: 1. Inductance Values may vary  $\pm 20\%$ .

2. Etop rated at 150KHz except where designated.

3. Etop rated at 100KH.z

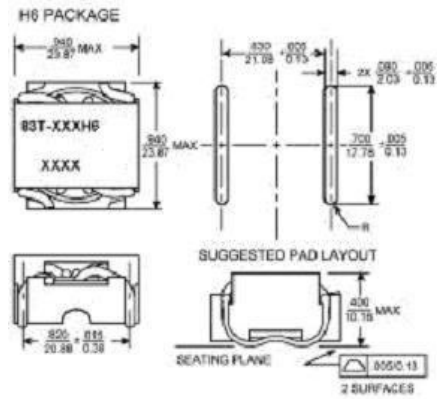
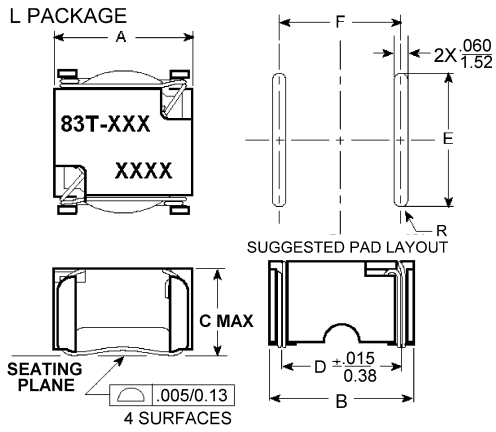
# ICI-83T SERIES INDUCTORS

## MARKINGS AND DIMENSIONS



PGK	A	B	C	D
P2	.360	.310	.250	.250
	9.14	7.87	6.35	6.35
P3	.400	.300	.300	.300
	10.16	7.62	7.62	7.62
P7	.495	.375	.375	.375
	12.57	9.52	9.52	9.52
P4	.635	.365	.500	.300
	16.13	9.27	12.7	7.62

package	A	B	C	D	E	F
K1	.340	.580	.650	.290	.110	.130
	8.64	8.64	8.64	7.37	2.79	3.30
K2	.450	.650	.700	.325	.150	.130
	11.43	16.51	17.73	8.26	3.81	3.30
K3	.450	.830	.950	.415	.150	.130
	11.43	21.08	24.13	10.54	3.81	3.30
K4	.600	.950	1.00	.475	.275	.130
	15.24	24.13	25.4	12.07	5.72	3.30



PGK	A	B	C	D	E	F
L2	.340	.340	.270	.260	.300	.270
	8.64	8.64	6.86	6.60	7.62	6.86
L3	.435	.440	.360	.350	.400	.360
	11.05	11.18	9.14	8.89	10.16	9.14
L7	.565	.570	.360	.450	.520	.460
	14.35	14.48	9.14	11.43	13.21	11.68
L4	.600	.620	.340	.550	.550	.510
	15.24	15.75	8.64	12.7	13.97	12.95
L5	.670	.700	.390	.580	.620	.590
	17.02	17.78	9.91	14.73	15.75	14.99

**NOTE:**

Coil must clear seating plane by: 0.10/0.25 min  
Unless otherwise specified,

All tolerances are  $\pm 0.10/0.25$