

40/60Watt, Single Output, AC-DC Open Frame Converter



FEATURES:

- Universal Input 90~264VAC
- High Efficiency at 89% Typical
- Protection: Short Circuit /Overload/Over voltage
- EN60950-1&EMI EN55022&EMS EN55024 standard approved
- Internal Input Filter
- ROHS Compliant



Specifications typical at TA=25°C, nominal input voltage and rated output current unless otherwise specified

Part Number	Output Wattage	Output Voltage	Output Current	Ripple & Noise	Efficiency
	(W)	V	(mA)	(mV) max(note)	%(TYP)
BRS40-S03	19.8	3.3	6000	100	72
BRS40-S05	30.0	5	6000	100	78
BRS40-S09	39.6	9	4400	100	80
BRS40-S12	39.6	12	3300	150	85
BRS40-S15	40.0	15	2670	150	86
BRS40-S16	40.0	16	2500	150	86
BRS40-S24	40.0	24	1670	240	88
BRS40-S27	40.0	27	1480	240	88
BRS40-S36	40.0	36	1110	240	88
BRS40-S48	40.8	48	850	240	89
BRS60-S03	26.4	3.3	8000	100	70
BRS60-S05	40.0	5	8000	100	80
BRS60-S09	60.0	9	6670	100	81
BRS60-S12	60.0	12	5000	150	85
BRS60-S15	60.0	15	4000	150	85
BRS60-S16	60.0	16	3750	150	85
BRS60-S24	60.0	24	2500	240	87
BRS60-S27	60.0	27	2200	240	87
BRS60-S36	60.0	36	1670	240	87
BRS60-S48	60.0	48	1250	240	88

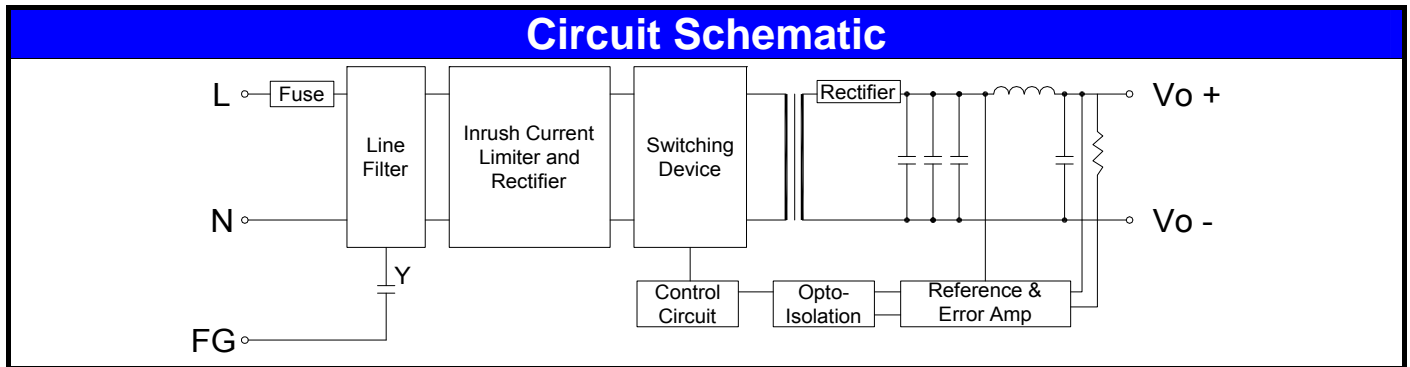
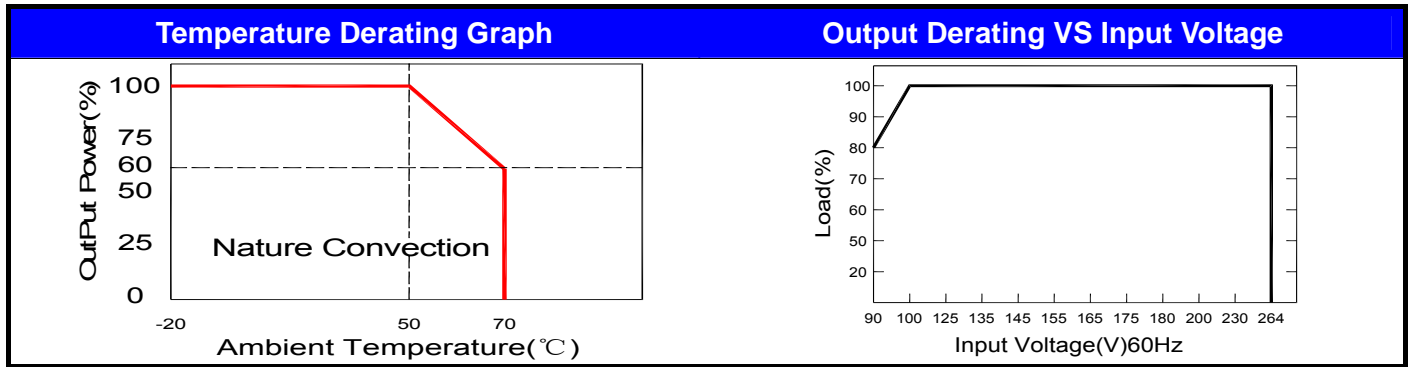
Input Specifications					
Parameters	Conditions	Min	Typ	Max	Units
Rated input voltage	Vo,lo nom		100-240		Vac
Voltage Range	Vo,lo nom	90		264	Vac
Frequency		47	50/60	63	Hz
Inrush Current	At 100Vac			20	A
	At 240Vac			40	A
Input Fuse	VDE/UL/CCC FUSE 2.5A/250V				

Output Specifications					
Parameters	Conditions	Min	Typ	Max	Units
Output Voltage Accuracy	Vi nom,lo nom			±3	%
		3.3V,5V Models			
				±2	%
	12....48V Models				
Minimum Load	Vi nom	0			%
Line Regulation	lo nom,Vi min...Vi max		±1		%
Load Regulation	Vi nom, lo min...lo nom		±2		%
Protection	Overload	115% -150% rated output power			
		Protection type: Recovers automatically after fault condition is removed			
	Over Voltage	120%-150% rated output Voltage			
		Protection type: Shut off o/p voltage, re-power on to recover			
Short circuit	Recovers automatically after fault condition is removed				

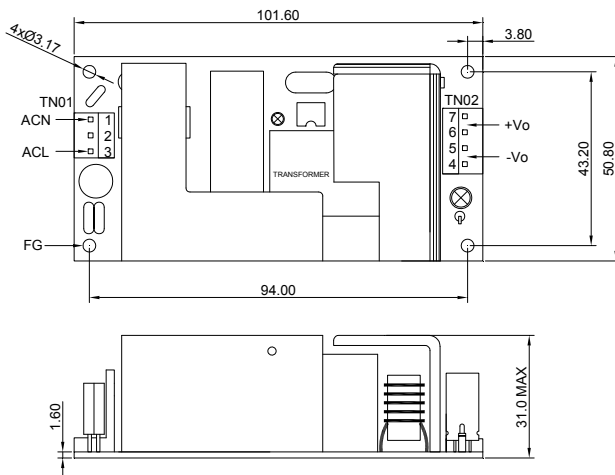
Note. Ripple & noise is measured by using 20 MHz bandwidth, measured with a 47uf paralleled with a high-frequency 0.47uf capacitor across each output by full load.

40/60Watt, Single Output, AC-DC Open Frame Converter

General Specifications					
Parameters	Conditions	Min	Typ	Max	Units
Switching Frequency	Vi nom, lo nom		65		KHz
Isolation Voltage	Input / Output	3KVac/ 5mA/5Secs			
Isolation Resistance	Input / Output, @500 Vdc	100			MΩ
Operating Temperature	Operating at Vi nom, lo nom	-20		+70	°C
Derating	Vi nom, lo nom +51 to 71°C			2	%/°C
Storage Temperature	Non Operational	-40		+85	°C
Relative Humidity	Vi nom, lo nom			95	% RH
Safety Standards	Design refer to UL60950-1				
Dimension	L101.60 x W50.80 x H31.0				mm
Cooling	Free air convection				



Markings and dimensions



Notes:

1. Input connector mates with Molex housing 09-50-3031 and Molex 2478 series crimp terminal.
2. Output connector mates with Molex housing 09-50-3041 and Molex 2478 series crimp terminal.

TN01	Model
PIN	Single Output
1	ACN
2	No PIN
3	ACL
TN02	
4	-Vo
5	-Vo
6	+Vo
7	+Vo

UNIT: mm Unless otherwise specified, all tolerances are ±0.50mm